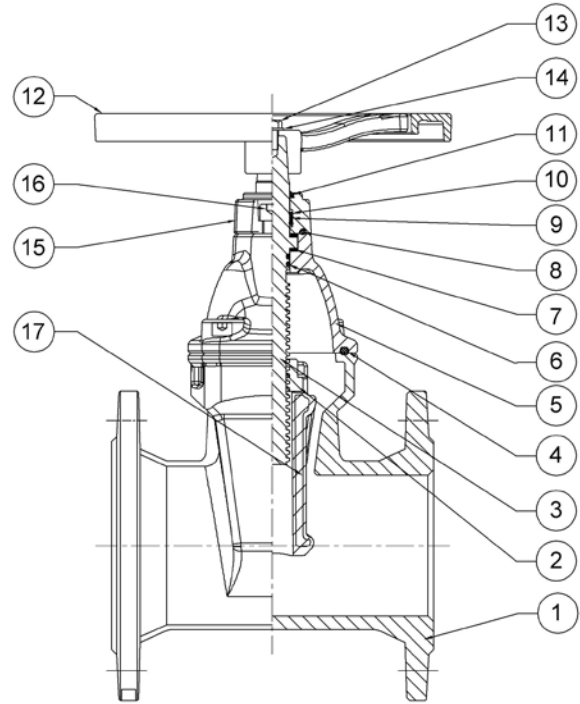


RESILIENT SEATED GATE VALVE



MATERIALS OF CONSTRUCTIONS

SL. No.	DESCRIPTION	MATERIAL
1	BODY	DUCTILE IRON
2	WEDGE NUT	BRASS
3	STEM	STAINLESS STEEL
4	GASKET	RUBBER
5	BONNET	DUCTILE IRON
6	O-RING	RUBBER
7	BUSH	PLASTIC
8	O-RING	RUBBER
9	BUSH	PLASTIC
10	O-RING	RUBBER
11	DUST WIPER	RUBBER
12	HAND WHEEL	CARBON STEEL
13	HEX BOLT	CARBON STEEL (GALVANIZED)
14	WASHER	CARBON STEEL (GALVANIZED)
15	GLAND	DUCTILE IRON
16	IN HEX BOLT	CARBON STEEL (GALVANIZED)
17	WEDGE	DUCTILE IRON + VULCANIZED RUBBER

DESIGN FEATURES	
SIZE RANGE	50 MM TO 300 MM
PRESSURE RATING	PN 1.0, PN 1.6, PN 2.0, PN 2.5
DESIGN STANDARD	BS 5163, DIN 3352, ISO 7259
TESTING STANDARD	IS: 14846, API 598
FLANGE STANDARD	BS / IS / ANSI / DIN
MATERIAL	DUCTILE IRON
ACCESSORIES	GEAR, ACTUATOR

HYDROSTATIC TEST PRESSURE (Kg/Cm ²)		
RATING	BODY	SEAT
PN 1.0	15	10
PN 1.6	24	16
PN 2.0	30	20
PN 2.5	38	25

DIMENSION TABLE

SL. No.	SIZE	FACE TO FACE	FLANGE DIA	FLANGE THICKNESS	PCD	NO. OF HOLE	HOLE DIA
1	50 MM	178±2	165	19	125	4	19
2	65 MM	190±2	185	19	145	4	19
3	80 MM	203±2	200	19	160	4	19
4	100 MM	229±2	220	19	180	8	19
5	125 MM	254±2	250	19	210	8	19
6	150 MM	267±2	285	19	240	8	23
7	200 MM	292±2	340	20	295	8	23
8	250 MM	330±3	405	22	350	12	23
9	300 MM	356±3	460	24.5	400	12	23

ALL DIMENSIONS ARE IN MM.