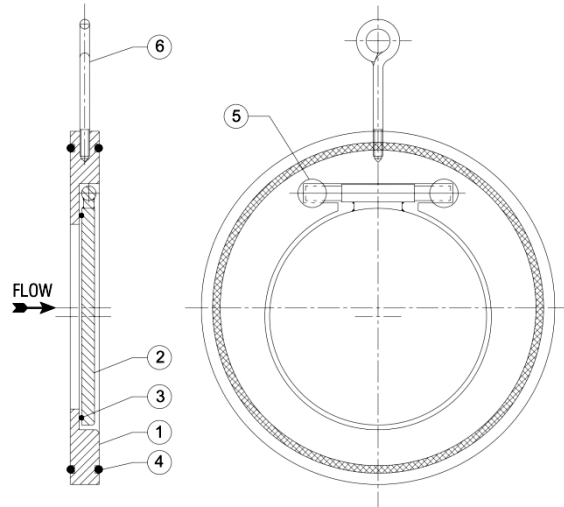


# WAFER END FLAP TYPE CHECK VALVE



SL. No.	DESCRIPTION	MATERIAL
1	BODY	CS / MS / SS
2	DISC	CS / MS / SS
3	SEAL 'O' RING	NITRILE RUBBER
4	GASKET 'O' RING	NITRILE RUBBER
5	CAP	STAINLESS STEEL
6	LIFTING EYE BOLT	CARBON STEEL

DESIGN FEATURES	
SIZE RANGE	50 mm to 300 mm
PRESSURE RATING	PN 1.0, PN 1.6
DESIGN STANDARD	API 6D
TESTING STANDARD	API 598
MATERIAL	CS / MS / SS

HYDROSTATIC TEST PRESSURE (Kg/Cm <sup>2</sup> )		
RATING	BODY	SEAT
PN 1.0	15	10
PN 1.6	24	16

## DIMENSION TABLE

SL. No.	SIZE	FACE TO FACE	FLANGE DIA	FLANGE THICKNESS	PCD	NO. OF HOLE	HOLE DIA

ALL DIMENSIONS ARE IN MM.