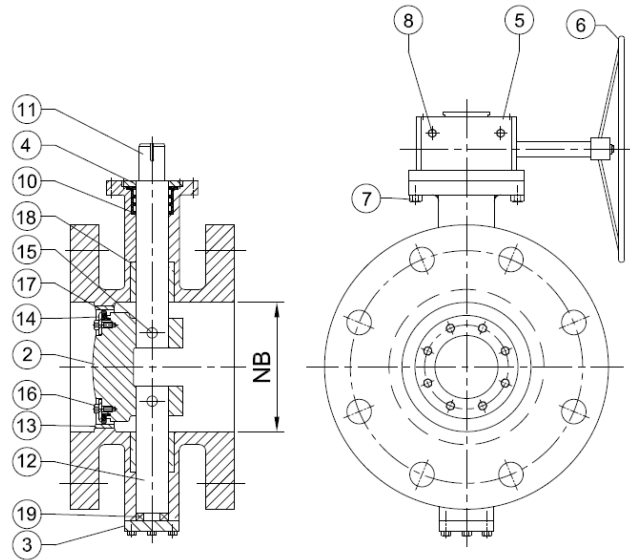


# DOUBLE FLANGE BUTTERFLY VALVE



## MATERIALS OF CONSTRUCTIONS

SL. No.	DESCRIPTION	MATERIAL
1	BODY	CI / DI / CS
2	DISC	CI / D I / CS
3	END COVER	CI / DI / CS
4	GLAND PLATE	CI / DI / CS
5	WORM GEAR BOX	MFR'S STD
6	HAND WHEEL	CI / FAB.STEEL
7	BOLTS & NUTS	CARBON STEEL
8	STOPPER LOCK	CARBON STEEL
9	INDICATOR	MFR'S STD
10	SEAL FOR SHAFT (PACKING)	NITRILE RUBBER
11	DRIVE SHAFT	SS 410 / 304 / 316 / 431
12	STUB SHAFT	SS 410 / 304 / 316 / 431
13	BODY SEAT FACE	SS 410 / 304 / 316 / 431
14	SEAL RETAINING RING	SS 410 / 304 / 316 / 431
15	DOWEL PIN	STAINLESS STEEL
16	INTERNAL FASTENERS	STAINLESS STEEL
17	DISC SEAL	NITRILE RUBBER
18	BEARING BUSHES	LT BRONZE
19	THRUST PAD	LT BRONZE

## DESIGN FEATURES

SIZE RANGE	50 MM TO 200 MM
PRESSURE RATING	PN 1.0, PN 1.6, PN 2.0
DESIGN STANDARD	BS 5155, IS:13095, AWWA C-504
TESTING STANDARD	IS: 13095
FLANGE STANDARD	BS / IS / ANSI / DIN
MATERIAL	CI / DI / CS
ACCESSORIES	GEAR, ACTUATOR

## HYDROSTATIC TEST PRESSURE (Kg/Cm<sup>2</sup>)

RATING	BODY	SEAT
PN 1.0	15	10
PN 1.6	24	16
PN 2.0	30	20

## DIMENSION TABLE

SL. No.	SIZE	FACE TO FACE	FLANGE DIA	FLANGE THICKNESS	PCD	NO. OF HOLE	HOLE DIA
1							
2							
3							
4							
5							

ALL DIMENSIONS ARE IN MM.